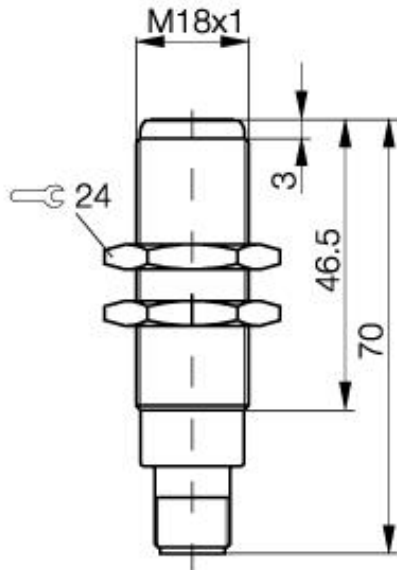


**Photoelectric Sensor**  
**BOS 18E-PS-1UB-SA 1-S 4**  
**Sn=2000mm**  
**Retroreflective**



PX1045

**Common Data**

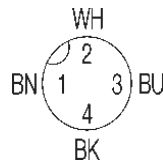
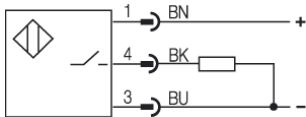
Series	18E
Sensortype	Retroreflective
Switching frequency	100 Hz
Rated operating distance Sn in mm	2000
assured operating distance Sa	2000
Repeat accuracy	=5% from Sn
Hysteresis	=15% from Sn
Ambient temperature	-5...+75°C
On-delay	=5ms
Light	Red light
Wavelength / Laser protection class	Polarizing filter
Permissible ambient light	5000 Lux
Output function	dark-on

**Mechanical Data**

Measurements	M18x1 x 70
Shock	Halfsinus, 30gn, 11ms
Vibration	55Hz, 1mm Amplitude 3x30M
Housing material	stainless steel 1.4571
Material of sensing face	PMMA
Degree of protection	IP68 acc. BWN Pr 20
Connection	Connector S4 (M12)
Weigth	55g
Recommended connector	BKS-S20-4

**Electrical Data**

Current	DC
Switching function	normally-open
Output	PNP
Rated operational voltage Ue	24V DC
Rated operational current Ie	200mA
Supply Voltage	10...30V DC
Ripple	< 15% from UB
Frequency of Supply Voltage	DC
No-load supply current	<20mA
Voltage drop	<2,5V
Short protection	yes
Protected against polarity reversal	yes
Rated insulation voltage	250 AC
Output resistance	33kOhm
max. Load capacity	=1µF



Utilization categories  
 Insulation class

DC 13  
 II

Datasheet number:

Definitions see general catalog.  
 If not otherwise noted, ratings according to  
 IEC 60947-5-2 (DIN EN60947-5-2)

Balluff GmbH  
 Schurwaldstrasse 9  
 73765 Neuhausen a.d.F.  
 Phone (07158) 173-0 Fax (07158) 5010

Datenblatt by CD-ROM - 04/2007

